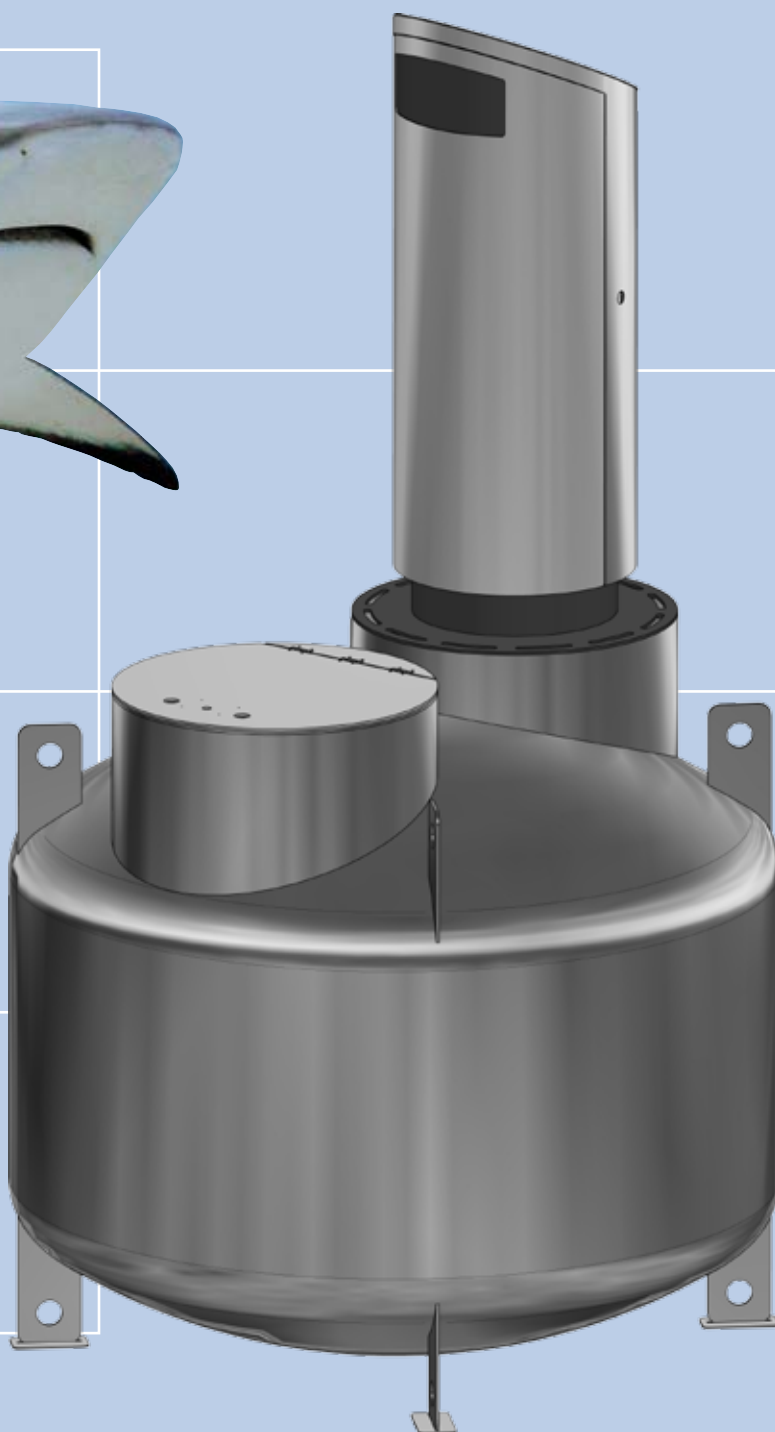
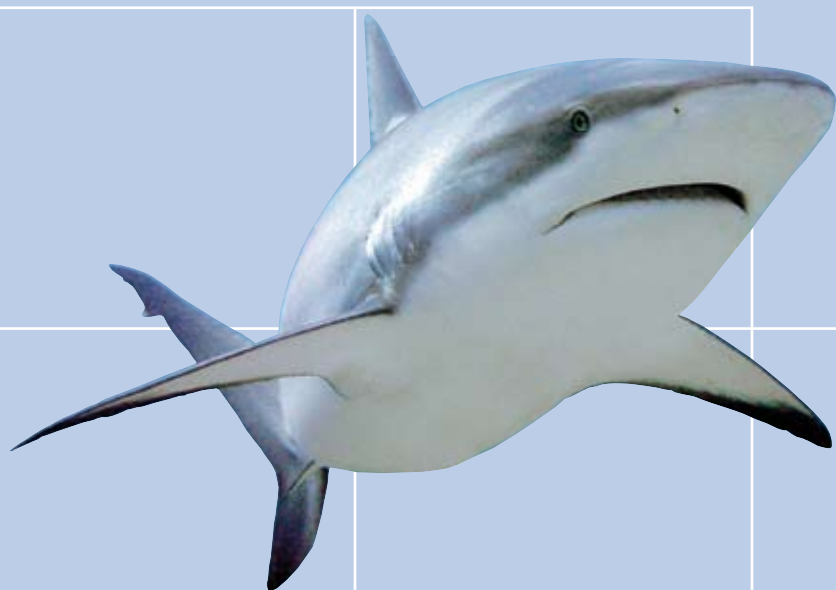


littershark[®]
underground

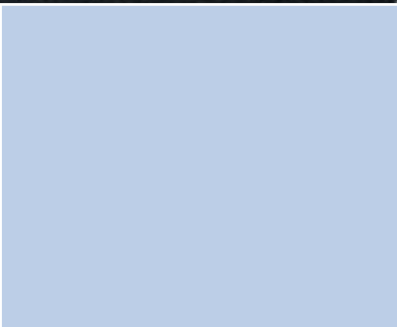
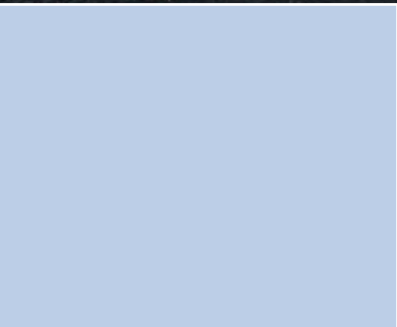
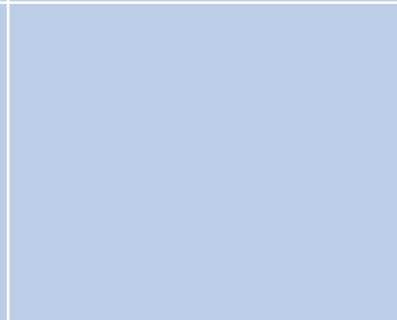
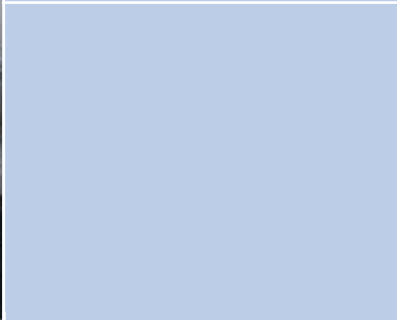
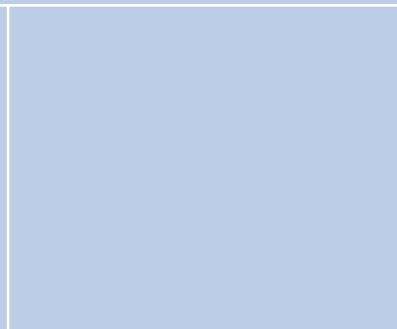
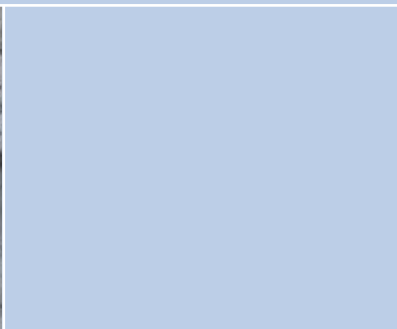


unlimited in form & dimension
brüco SWISS AG

littershark[®]

littershark underground - the cost saver

With the environmental system ***littershark underground*** considerably less emptying is necessary. The elegant and slim column, an aesthetically confirmed and economically efficient solution, devours 600 to 1000 litres of refuse. The ***littershark underground*** is made of high-end stainless steel above and beneath the pavement – long lasting and vandal-proof..



Mounting of the *littershark underground*

The recipient, made of stainless steel, with a volume of 600, 800 or 1000 litres, must be permanently sunken into the ground.



Different kinds of surfaces and pavements can be chosen.



littershark[®]

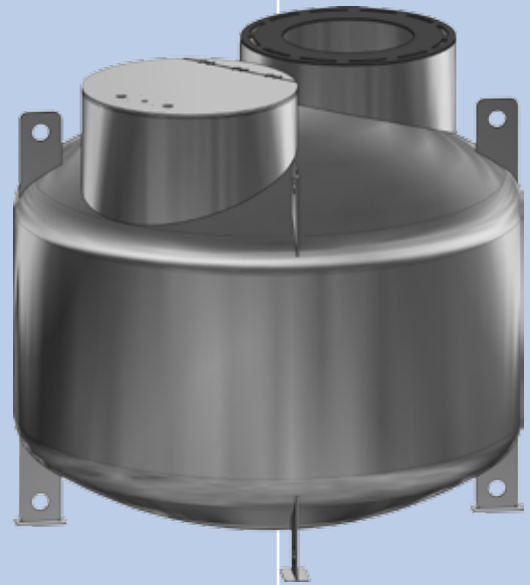
Emptying of the *littershark underground*

Less emptying is necessary due to its huge volume. A separate service flap facilitates the aspiration. Commercial cleaning machines can be used to evacuate the litter.



Our innovative levelling socket is optionally available for levelling.

Also available in painted steel.



littershark underground
Art Nr. 807 000 024

littershark underground
with dispenser
Art Nr. 807 000 025

Stainless steel V2A
Ø = 380 H = 915 mm

littershark underground
with ashtray
Art Nr. 807 000 026

littershark underground
with ashtray and dispenser
Art Nr. 807 000 027

Stainless steel V2A
Ø = 380 H = 1016 mm

littershark Container 1000 l
Ø = 1200 H = 1200 mm

Art Nr. 801 000 011
Stainless steel V2A

littershark Container 800 l
Ø = 1200 H = 1000 mm

Art Nr. 808 000 001
Stainless steel V2A

littershark Container 600 l
Ø = 1200 H = 800 mm

Art Nr. 806 000 040
Stainless steel V2A



Our field sales team will be delighted to show you the entire **littershark** collection



reddot design award
winner 2006

other littershark® products

littershark®
disposal system

unlimited in form & dimension
brüco SWISS AG

littershark®
Banksystem Pegasus

unlimited in form & dimension
brüco SWISS AG

The **disposal systems** leaflet from Brüco Swiss AG offers a comprehensive view of the popular **littershark system**.

Der Prospekt Banksysteme von Brüco Swiss AG präsentiert den innovativen **Pegasus**.

Production and sales:
Brüco Swiss AG
Riedgrabenstrasse 16
CH-8153 Rümlang (Switzerland)
Phone +41 (0)44 818 84 84
Fax +41 (0)44 818 84 88
info@littershark.ch
www.littershark.ch



partner virtuellefabrik.ch

unlimited in form & dimension
brüco SWISS AG